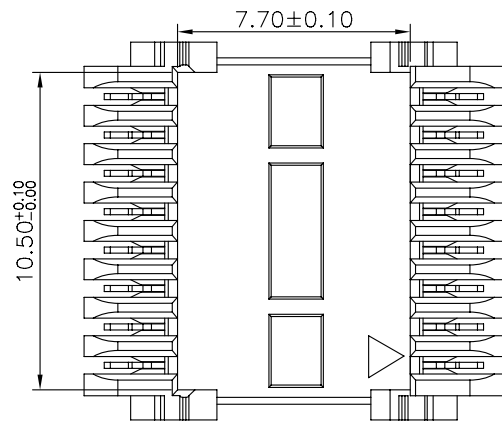
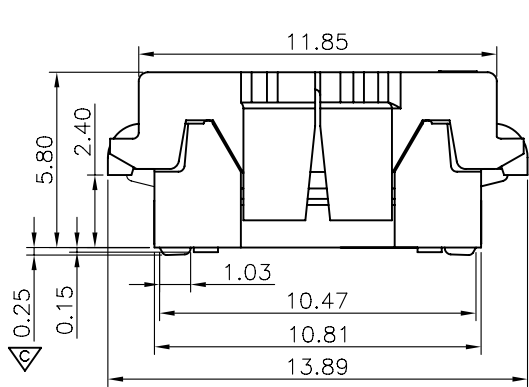
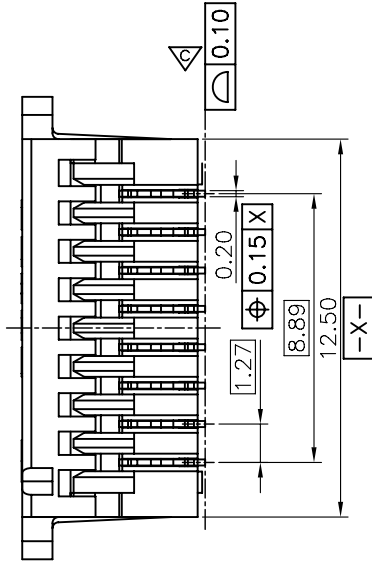
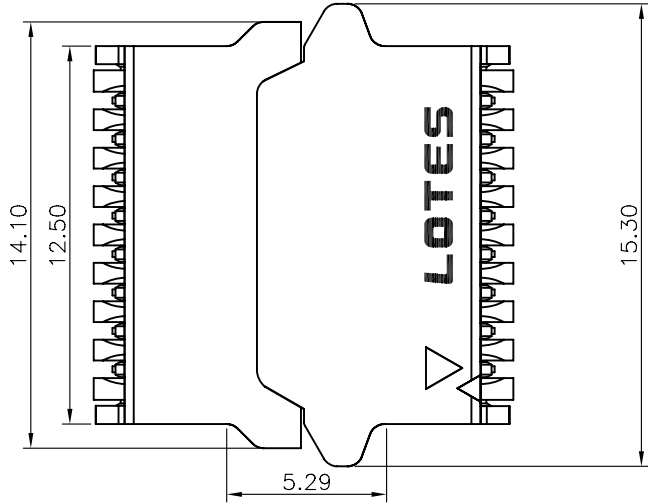


REV.	ECR/N NO./DESCRIPTION	DATE	DRAWN	CHECKED	APPROVE
7	SN13061	03/29'13	SKY	Vito	Barney
8	SN13155	08/29'13	SKY	Vito	Barney
9	SN19053	05/15'19	Rover	Vito	Frank

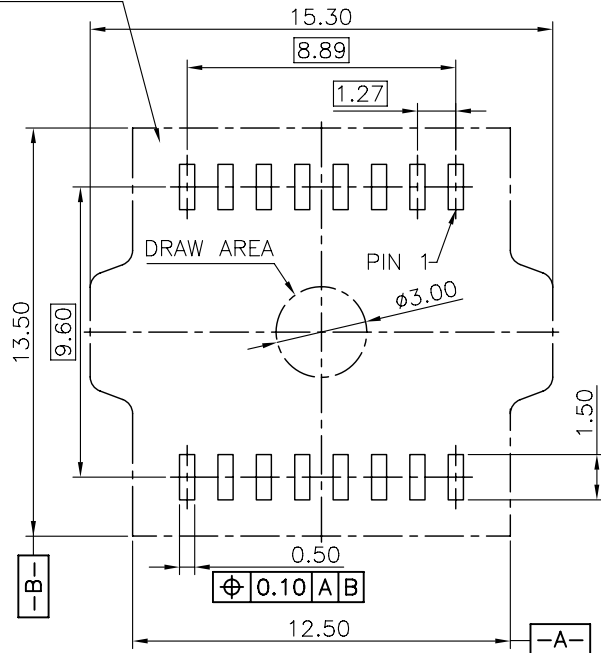


THE TOP VIEW WITHOUT COVERS

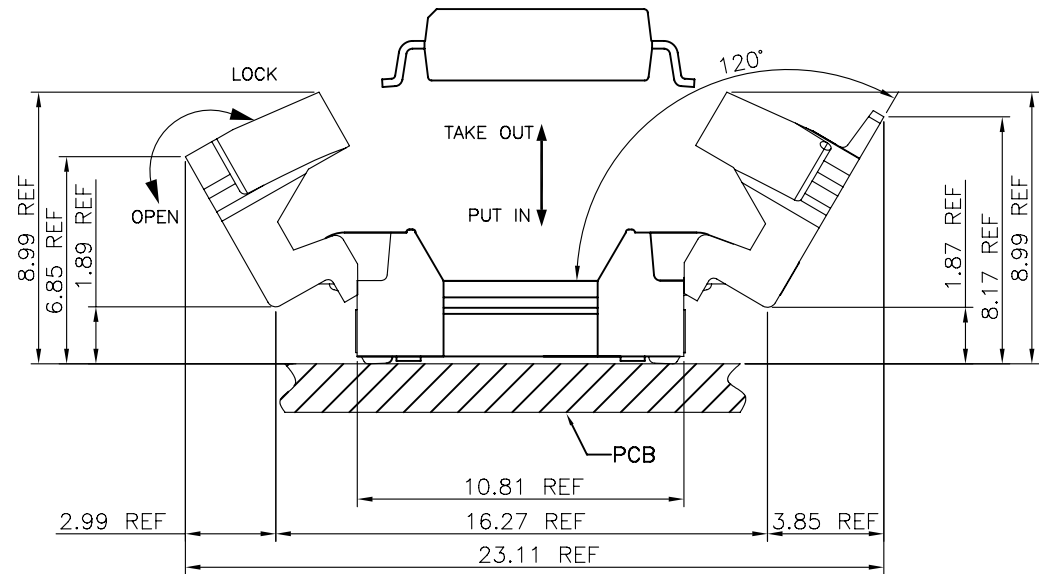
7	ACA-SPI-006-P11	Ni 50u" MIN,15u" Au ON CONTACT AERA , G/F 1u"min ON SOLDER AREA;FOR H3C	BLACK
6	ACA-SPI-006-K05	Ni 50u"MIN,MATTE TIN 80u" MIN ON CONTACT AREA AND SOLDER AREA	BLACK
5	ACA-SPI-006-P09	Ni 50u" MIN,G/F 1 u" min ON CONTACT AREA AND SOLDER AREA	WHITE
4	ACA-SPI-006-P04	Ni 50u" MIN,30u" Au ON CONTACT AERA, G/F 1u"min ON SOLDER AREA	BLACK
3	ACA-SPI-006-K02	Ni 50u" MIN,15u" Au ON CONTACT AERA , G/F 1u"min ON SOLDER AREA	BLACK
2	ACA-SPI-006-P01	Ni 50u" MIN,G/F 1 u" min ON CONTACT AREA AND SOLDER AREA	BLACK
1	ACA-SPI-006-K01	Ni 50u" MIN,G/F 1 u" min ON CONTACT AREA AND SOLDER AREA	BLACK

NO.	PART NO.	DESCRIPTION	COLOR
GENERAL TOLERANCES UNLESS SPECIFIED		PART NO.	LOTES
X ±0.35	X.° ±3°	SEE TABLE	
XX ±0.25	.X° ±2°	APPROVED BY	TITLE
.XXX ±0.15	.XX° ±1°	Ron	SPI FLASH SOCKET FOR SOIC 16PIN
CUSTOMER DRAWING	CHECKED BY	DWG NO.	
	Kaka	AP-ACA-SPI-006	
SIZE	UNITS	DRAWN BY	SHEET
A4	MM [INCH]	Sun	1 / 4
			SCALE
			4 : 1
			REV
			9

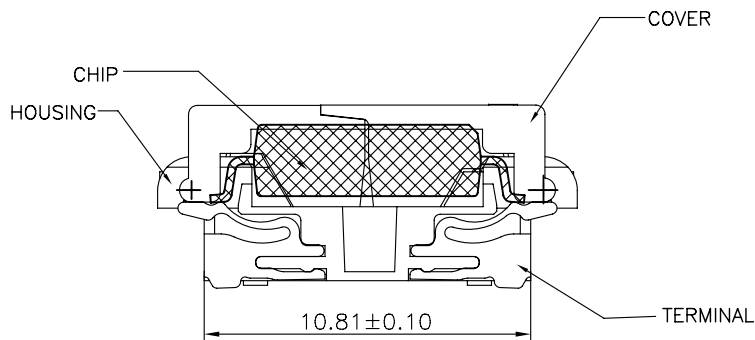
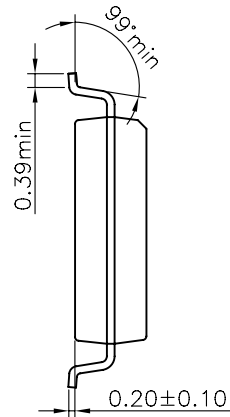
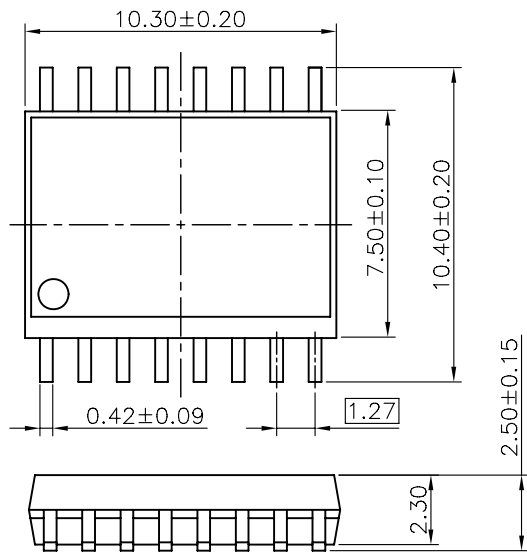
RECOMMENDED MATING
ASSY'S OUTLINE



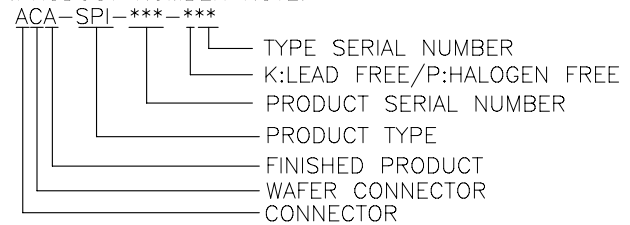
RECOMMENDED PCB LAYOUT FOR USE
CONNECTOR MOUNTING SIDE



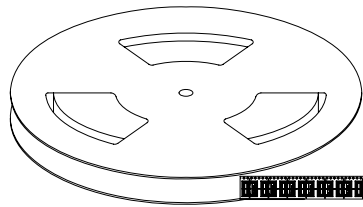
GENERAL TOLERANCES UNLESS SPECIFIED		PART NO. SEE TABLE	LOTES			
X ±0.35	X.° ±3°					
XX ±0.25	.X.° ±2°	APPROVED BY Ron	TITLE SPI FLASH SOCKET FOR SOIC 16PIN			
.XXX ±0.15	.XX.° ±1°	CHECKED BY Kaka	DWG NO. AP-ACA-SPI-006			
CUSTOMER DRAWING		DRAWN BY Sun		SHEET	SCALE	REV
SIZE A4	UNITS MM [INCH]			2 / 4	4 : 1	9



- NOTES: 1.MATERIAL:
 1).HOUSING:LCP,UL-94V0,COLOR:SEE TABLE
 2).COVER:LCP,UL-94V0,COLOR:SEE TABLE
 3).CONTACT:Phosphor Bronze.
 2.FINISH:SEE TABLE
 3.RoHS COMPLIANT. HF COMPLIANT
 4.ELECTRICAL PERFORMANCE
 Contact resistance:30mΩ MAX.
 Insulation resistance:1000MΩ MIN
 5.MECHANICAL PERFORMANCE
 Durability:25 cycles
 6.IR REFLOW TEMPERATURE:260°C FOR 10 SECONDS MAX.
 7.PRODUCT NUMBER NOTE:

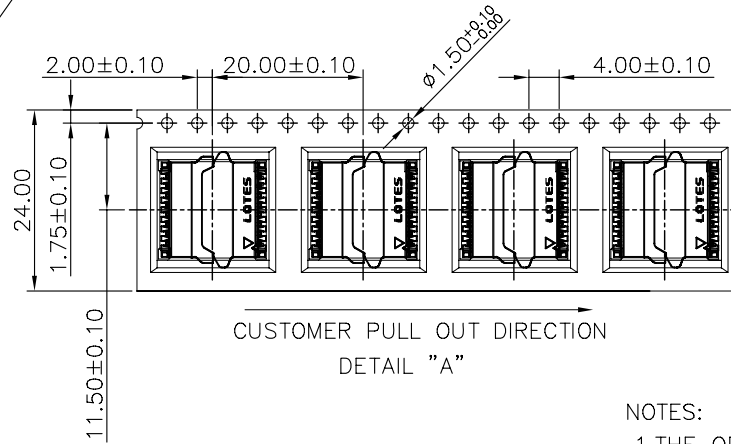


GENERAL TOLERANCES UNLESS SPECIFIED		PART NO. SEE TABLE	LOTES			
X ±0.35	X.° ±3°					
XX ±0.25	.X° ±2°	APPROVED BY Ron	TITLE SPI FLASH SOCKET FOR SOIC 16PIN			
.XXX ±0.15	.XX° ±1°	CHECKED BY Kaka	DWG NO. AP-ACA-SPI-006			
SIZE A4	UNITS MM [INCH]	DRAWN BY Sun		SHEET 3 / 4	SCALE 4 : 1	REV 9

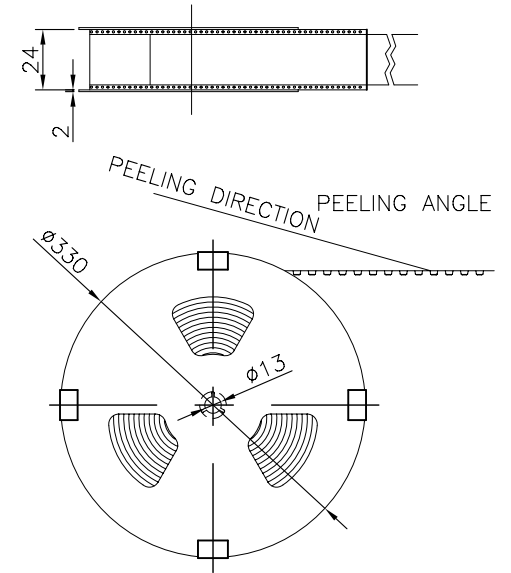


PRODUCT
SEE DETAIL "A"

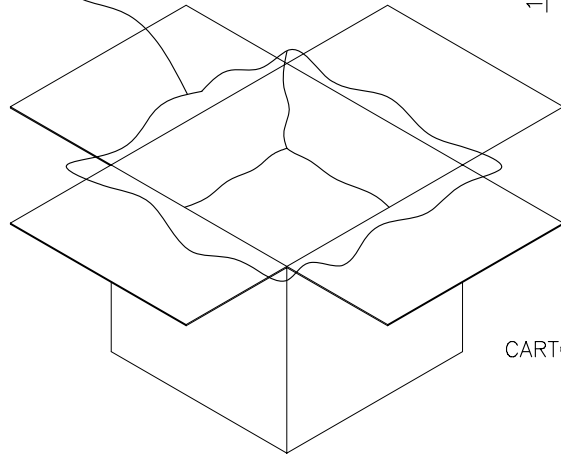
THE HEAD AND TAIL EMPTY 10 PCS
AND THE TAIL EMPTY 15 PCS



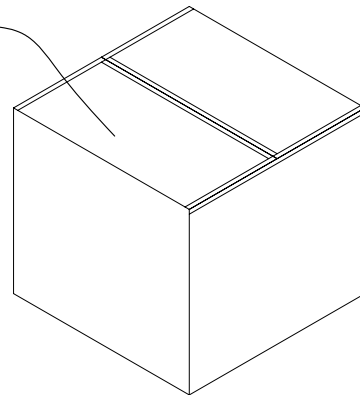
CUSTOMER PULL OUT DIRECTION
DETAIL "A"



PE BAG



CARTON



NOTES:

- 1.THE OPERATION OF PACKING REFER THE LEFT PROCESS.
- 2.PACKING LIST.

DESCRIPTION	P/N	SPECIFICATION	QTY(PCS)
PRODUCT	ACA-SPI-006-*	SEE TABLE 1	1650
CARTON	S09-1-30014-K01	340*340*113;K=K	1
REEL	G09-04-30002-02	W=24.4;13"	3
CARRY TAPE	G09-05-00043-K01	24*20*6;PS_CLARITY	11.5*3M
COVER TAPE	G09-05-20032-P01	0.05*20.7;PE_WHITE	11.5*3M
PE BAG	G09-06-50002-02	520*520*460;T=0.05mm	1
DUNK COTTON	S09-3-30009-K01	335*335*10;material EPE	2
DESICCANT	G09-07-00001-01	2g/BAG	4BAG

GENERAL TOLERANCES UNLESS SPECIFIED		PART NO. SEE TABLE	LOTES		
X ±0.35	X.° ±3°				
XX ±0.25	.X.° ±2°				
.XXX ±0.15	.XX.° ±1°	CHECKED BY Vito	DWG NO. AP-ACA-SPI-006		
CUSTOMER DRAWING					
SIZE A4	UNITS MM [INCH]	DRAWN BY Victor	SHEET 4 / 4	SCALE 1 : 1	REV 9